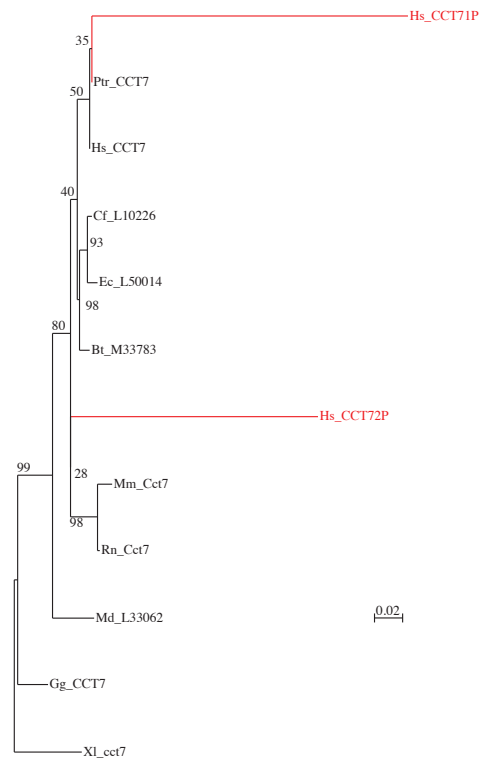
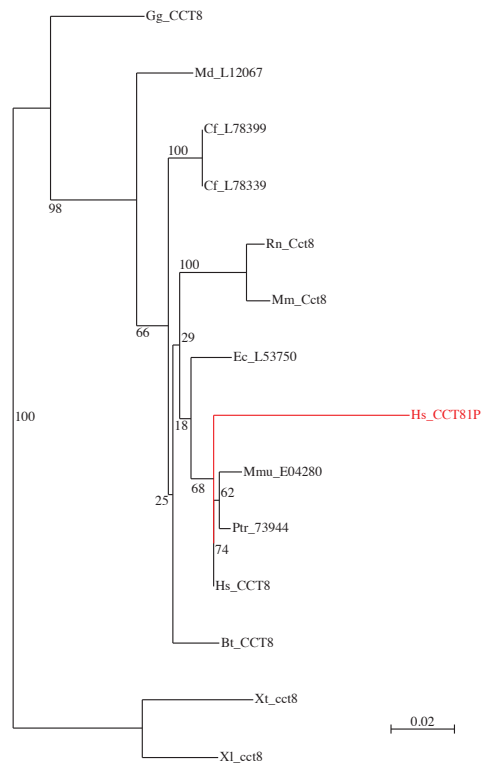


Human CCT5 pseudogenes



Human CCT7 pseudogenes



Human CCT8 pseudogenes

Supplementary figure S9. ML trees of individual CCT monomer families including human pseudogenes (in red font). See Legends for Figure S5 and for Figure 2 for species abbreviations. The scale bar represents the indicated number of substitutions per position for a unit branch length.